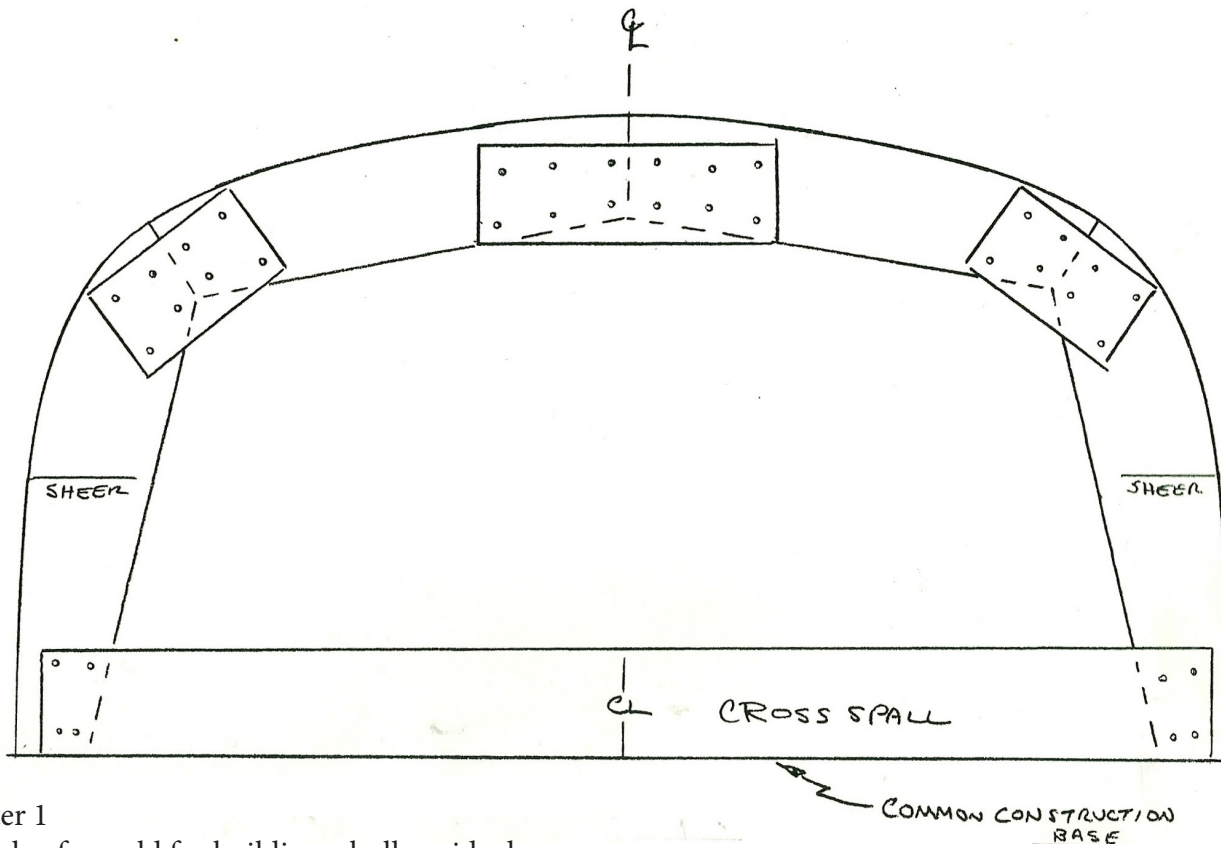
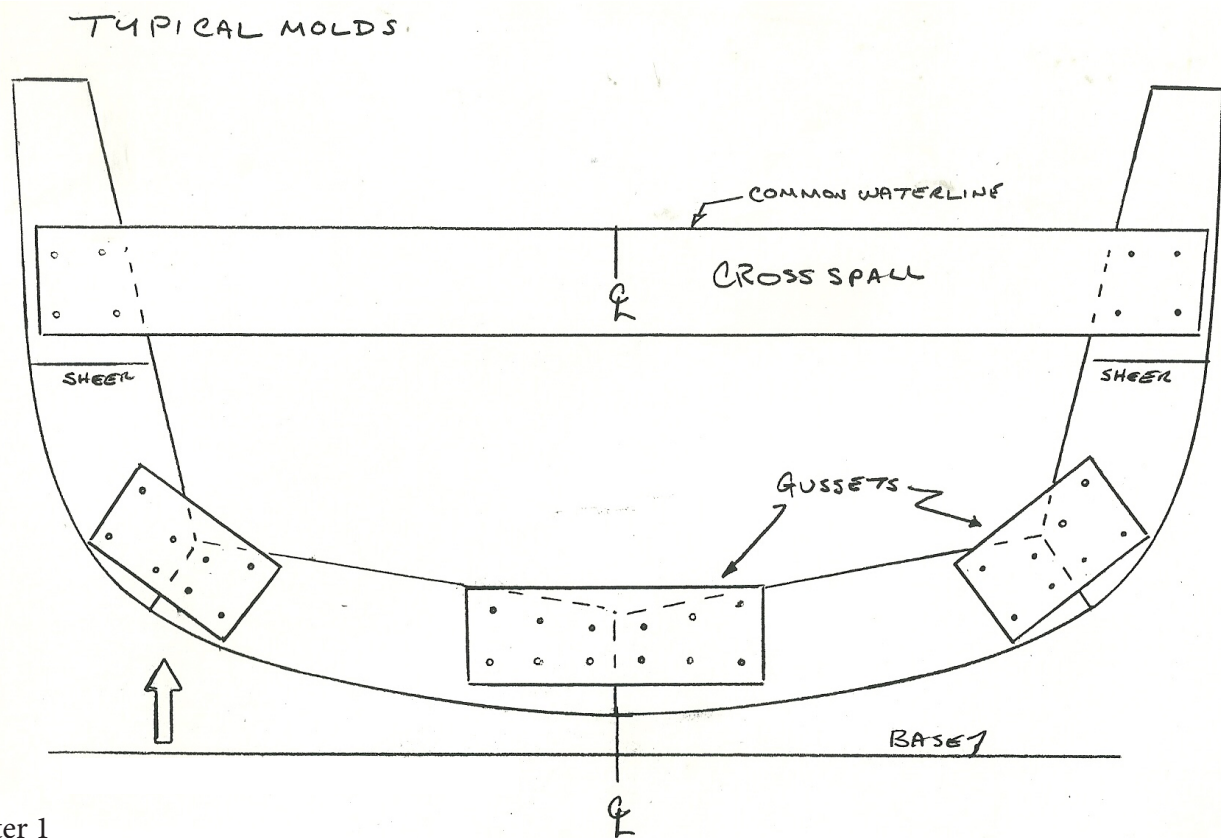


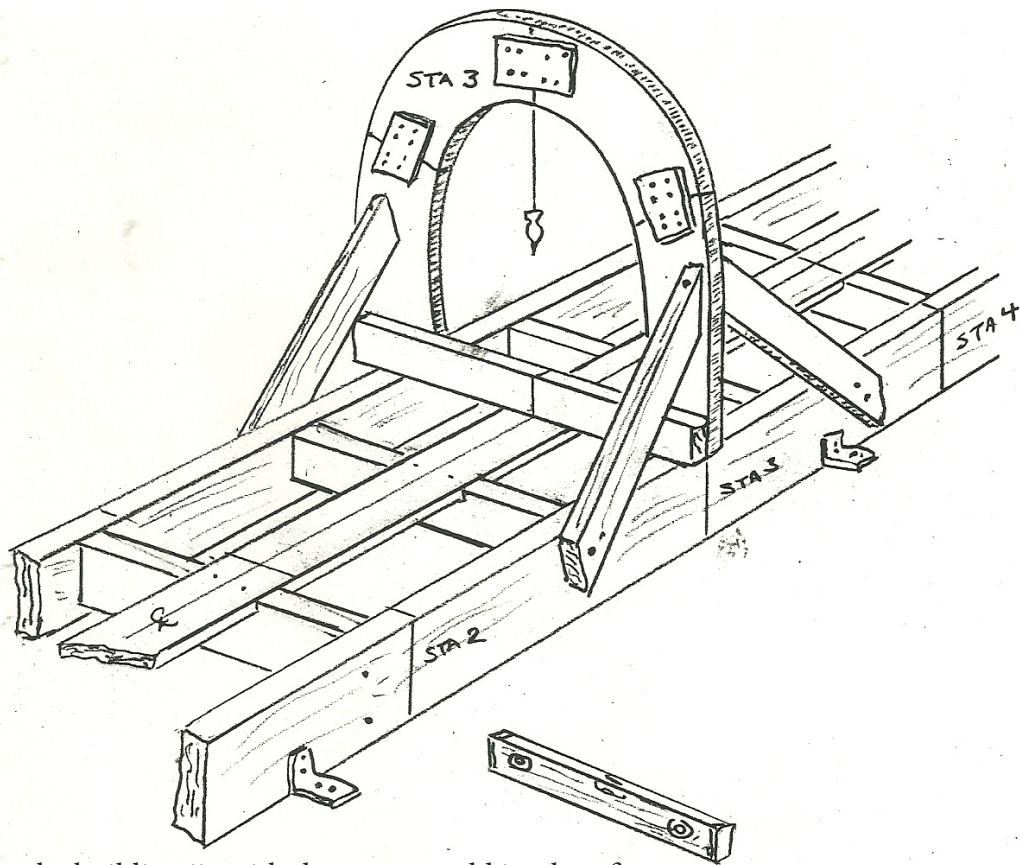
From Episode 2, Station Molds, Mastering Skills with the Wooden Boat School



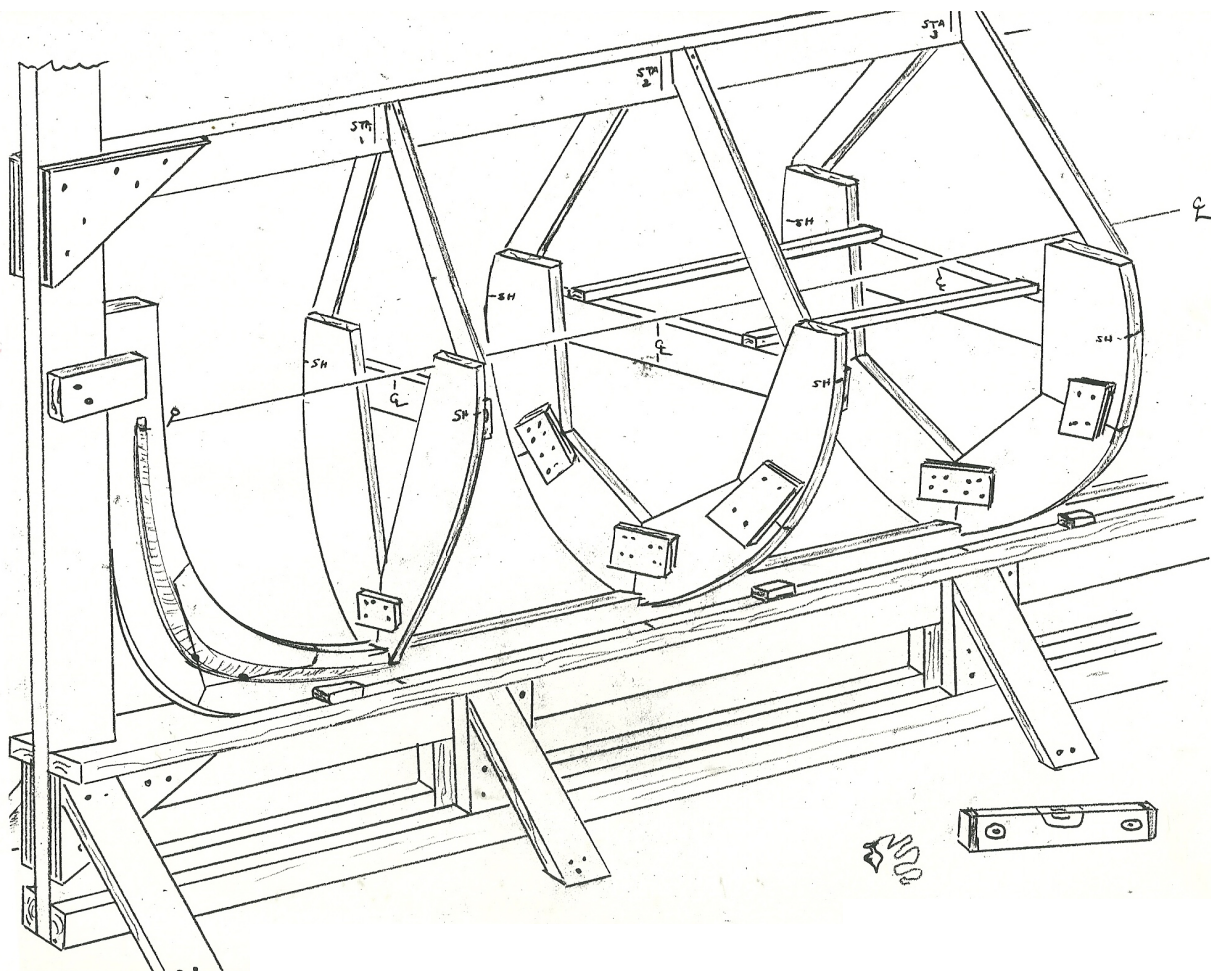
Chapter 1  
Example of a mold for building a hull upside down



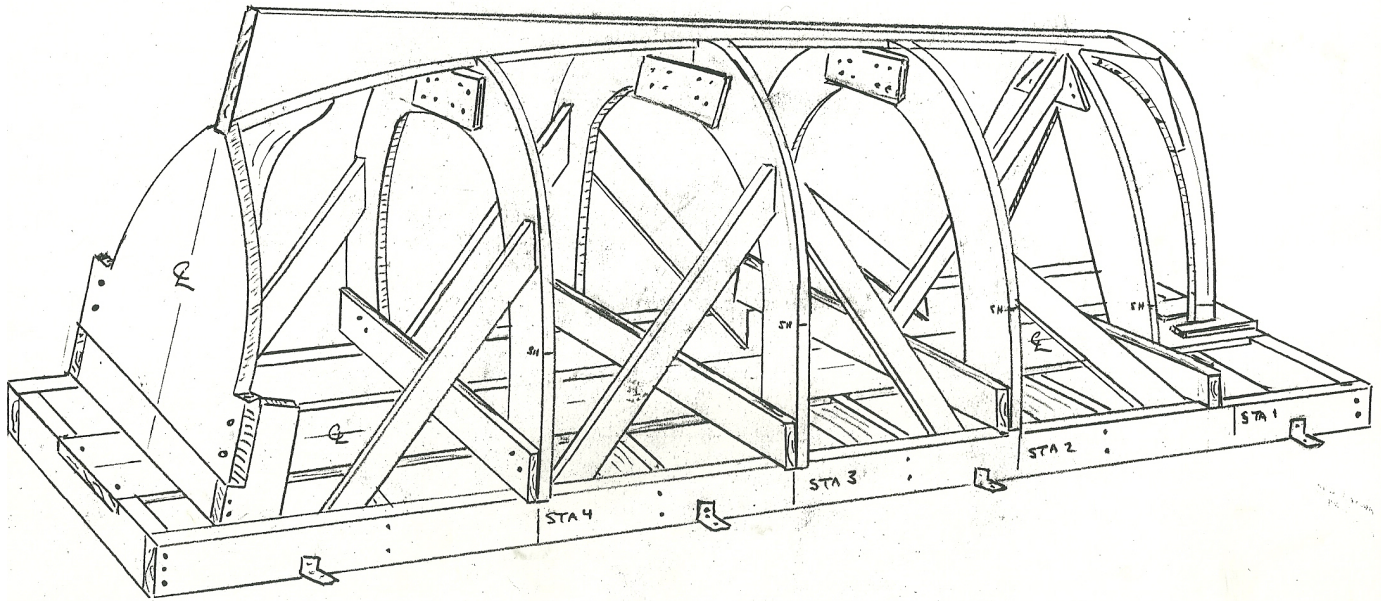
Chapter 1  
Example of a mold for building a hull upside down



Chapter 2  
Begin setting up the building jig with the center mold in place first.

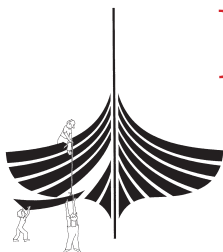


Chapter 2  
Example of a construction jig for building right side up.



### Chapter 3

Molds set in place for upside-down construction with the backbone complete



# MASTERING SKILLS with the Wooden Boat School

[www.woodenboatschool.org](http://www.woodenboatschool.org)